

ELLISSE PENDANT DOUBLE

Federico Palazzari

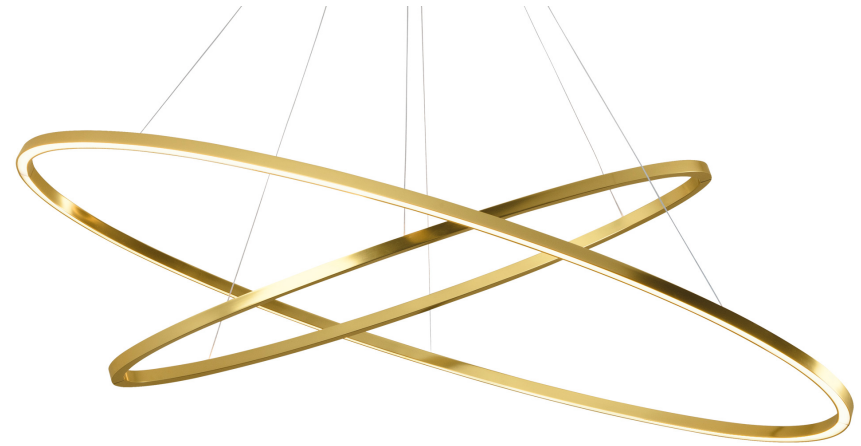
Collection of LED pendants, floor/wall lamps available in different versions: major, minor, double, triple and mega provides a direct or indirect diffused light.

In extruded aluminum in different versions: matt lacquered in the finishes, white, black and gold, natural polished and gold polished anodized.

Equipped with an opal diffuser.

The lamps are made using a proprietary extrusion coupling technology.

Ellisse Major is also available as floor or wall versions and is provided with a black marble base or a wall hook accessory.



LED 2700K

LAMPING

| | |
|-------------------|--|
| Source | linear LED |
| Total power | 85W |
| Emission | diffused orientable uplight(minor), diffused orientable downlight (major) |
| Switching | dimnable 1-10V |
| Tension | 110/240V |
| Color temperature | 2700K |
| Luminous flux | 2825+1850lm |
| Typ CRI | 85 |
| Materials | Aluminium |
| Notes | adjustable cable length from 2,5m to 0,4m, DALI version on request, TRIAC VERSION on request |

Codes

ELP LW2 56
ELP LN2 56
ELP LO2 56
ELP LL2 56
ELP LGW 56

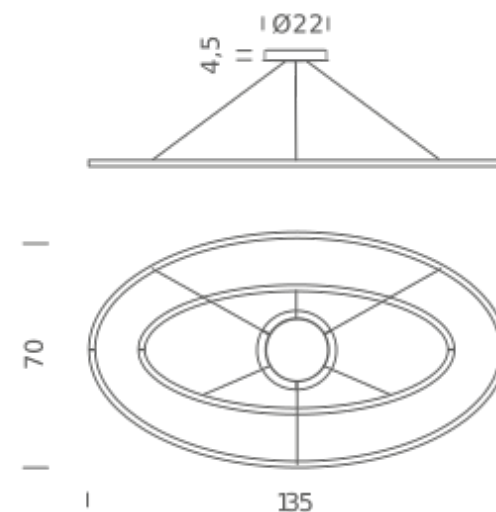
Structure/Diffuser

white/white
black/white
gold painted/white
polished aluminium/white
gold polished anodized/white

PACKAGE

Package 01 Dimension: 15x80x150 cm / Gross weight: 7,5 kg

Certificazioni



LED 3000K

LAMPING

| | |
|-------------------|---|
| Source | linear LED |
| Total power | 85W |
| Emission | diffused orientable uplight(minor), diffused orientable downlight (major) |
| Switching | dimnable 1-10V |
| Tension | 110/240V |
| Color temperature | 3000K |
| Luminous flux | 2825+1850lm |
| Typ CRI | 85 |
| Materials | Aluminium |
| Notes | adjustable cable length from 2,5m to 0,4m, DALI version on request |

Codes

ELP LWW 56
ELP LNW 56
ELP LOW 56
ELP LLW 56

Structure/Diffuser

white/white
black/white
gold painted/white
polished aluminium/white

PACKAGE

Package 01 Dimension: 15x80x150 cm / Gross weight: 7,5 kg

Certificazioni

